



Fuel Nozzles ↙

Swivels ↙

Safe-T-Breaks ↙

Pressure Vacuum Vents ↙



SUPPLIERS OF EQUIPMENT TO HANDLE PETROLEUM
AND CHEMICAL FLUIDS IN MANY INDUSTRIES...

shipmanking.com.au

Automatic shut off nozzle with polymer handguard for truck stop and other high volume full-service, self-service and unattended stations.

- **VIII nozzle shuts off when:**
 - the pump shuts off.
 - the gas tank is full.
 - the lever is opened before the pump is turned on.
 - the leak detector has not completed the test cycle.
- Nozzle is equipped with a unique Flo-Stop® device that shuts off the nozzle if it falls from the fill tank or raises above the horizontal.
- Spout is reinforced with thick aluminium bushing that retains spout spring and keeps spout from rounding-in: the two leading causes of clicking off and splash-back spillage.

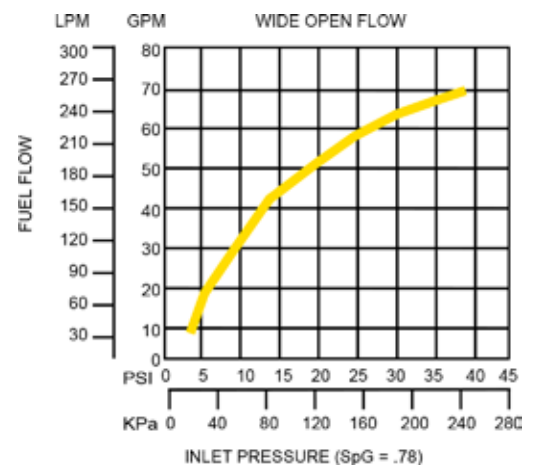


New Nozzles

MODEL NO.	DESCRIPTION	SHIPPING WEIGHT (KG)
173338N^	with Three Notch Hold Open Clip, Waffle Splash Guard and Spout Bushing	4.5 (2.0)
503038N^	with Three Notch Hold Open Clip and Waffle Splash Guard, without Spout Bushing	4.5 (2.0)

CONSTRUCTION

BODY	Aluminium
SEALS	Fluorocarbon
PACKING	Double o-ring seal protected by fibre reinforced Teflon®
LEVER	One piece contoured steel
INLET	1" / 25.4 mm BSPP



Dimensions and System Options

BSPP Safe-T-Breaks®

MODEL NO.	DESCRIPTION
003076	1" F x 1" F Reconnectable Safe-T-Break®
003076A	1" F x 1" F Reconnectable Safe-T-Break® - Atex
006914	1" F x 1" F Non-Reconnectable Safe-T-Break®

BSPP Swivels

MODEL NO.	DESCRIPTION
003306	1" M x 1" F Multi-Plane Swivel
006949	1" M x 1" F Multi-Plane High Flow Swivel

BSPP Swivel/Safe-T-Break® Combos

MODEL NO.	DESCRIPTION
008015	1" M BSPP Multi-Plane Swivel connected to 1" F BSPP Reconnectable Safe-T-Break®
008015A	1" M BSPP Multi-Plane Swivel connected to 1" F BSPP Reconnectable Safe-T-Break® - Atex

Spouts

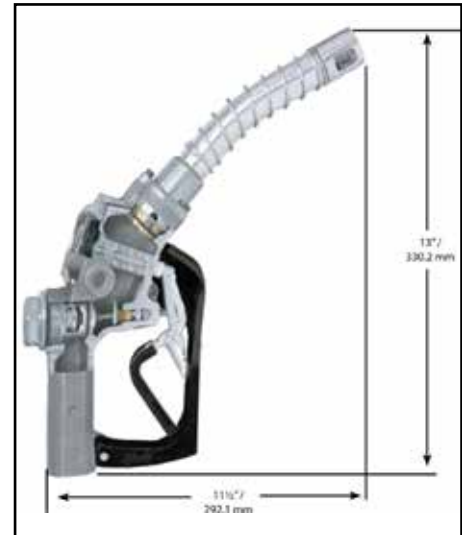
MODEL NO.	DESCRIPTION
002279	Complete Spout Assembly Kit with Bushing
005017	Complete Spout Assembly Kit without Bushing
003589	Complete Long Spout Assembly with Spout Bushing
011043	Complete Spout Assembly without Bushing and Small Spout Spring

Pressure/Vacuum Vents

MODEL NO.	DESCRIPTION
004620	2" Slip-On Pressure Vacuum Vent
004885	2" Thread-On Pressure Vacuum Vent - NPT
005885	2" Thread-On Pressure Vacuum Vent with internal screen - NPT

Accessories, Testing and Maintenance

MODEL NO.	DESCRIPTION
003593	Hold Open Clip Kit
007089	Nozzle Service Kit
006645	Plunger Assembly Lift Tool



Guards

MODEL NO.	DESCRIPTION
004740	Full Grip Guard
005516	Full Grip Reguard
005494	Lever Guard
008178	POPD® EZH Nozzle Guard
008177	POPD® EZS Nozzle Guard
007999	POPD® H Clear Cover
008186	POPD® H Full Grip Guard
008193	POPD® H Full Grip Reguard
008168	POPD® H Mate Guard
006628	POPD® S Clear Cover
007352	POPD® S Full Grip Guard
008194	POPD® S Full Grip Reguard
008167	POPD® S Mate Guard
001808	Waffle Splash Guard

For standard fueling applications.

All Husky® Multi-plane Swivels

- Compatible with unleaded, diesel and Ethanol blends through E10.
- Compact and light weight for easy handling.
- High flow rates due to laminar flow design.
- High strength step shoulder bearing diameters and impact absorbing stops.

Model 002950 Restricted Swivel

- Multi-Plane, 210° spherical rotation at the swivel nut.
- Double o-ring seals at each swivel provide long life at low temperatures (-40° F/C).

All Weather Swivels

- Multi-Plane, full 360° spherical rotation for easy movement of nozzle.
- Double o-ring seals at each swivel provide long life at low temperatures (-40° F/C).

All Weather NPT

MODEL NO.	DESCRIPTION	SHIPPING WEIGHT (KG)
000350	3/4" M x 3/4" F Swivel	.50 (.22)
000352	3/4" M x 3/4" F Swivel	.66 (.29)
000355	3/4" M x 3/4" F Swivel	.49 (.22)
000356	3/4" M x 3/4" F Black Swivel	.66 (.29)
002272	3/4" M x 3/4" F 90° Swivel	.38 (.17)
002950	3/4" M x 3/4" F Black Swivel	.50 (.22)

All Weather BSPP

MODEL NO.	DESCRIPTION	SHIPPING WEIGHT (KG)
001491	3/4" M x 3/4" F BSPT Swivel	.50 (.22)
003590	3/4" M x 3/4" F BSPP Swivel	.60 (.27)
003590A*	3/4" M x 3/4" F BSPP Swivel - ATEX	.60 (.27)
002771	3/4" M x 3/4" F 90° BSPP Swivel	.38 (.17)
002771A*	3/4" M x 3/4" F 90° BSPP Swivel - ATEX	.38 (.17)

CONSTRUCTION

ALL WEATHER	
BODY	High Aluminum Zinc Alloy
INNER O-RING	Fluorosilicone
OUTER O-RING	Fluorocarbon



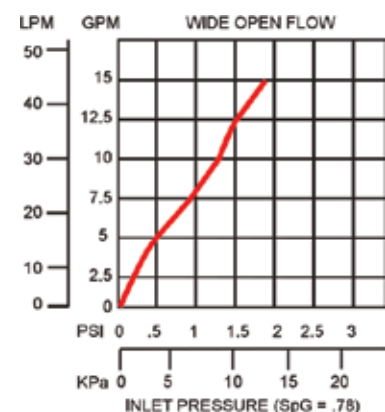
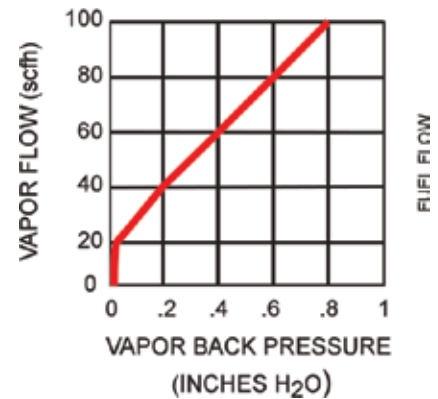
000352



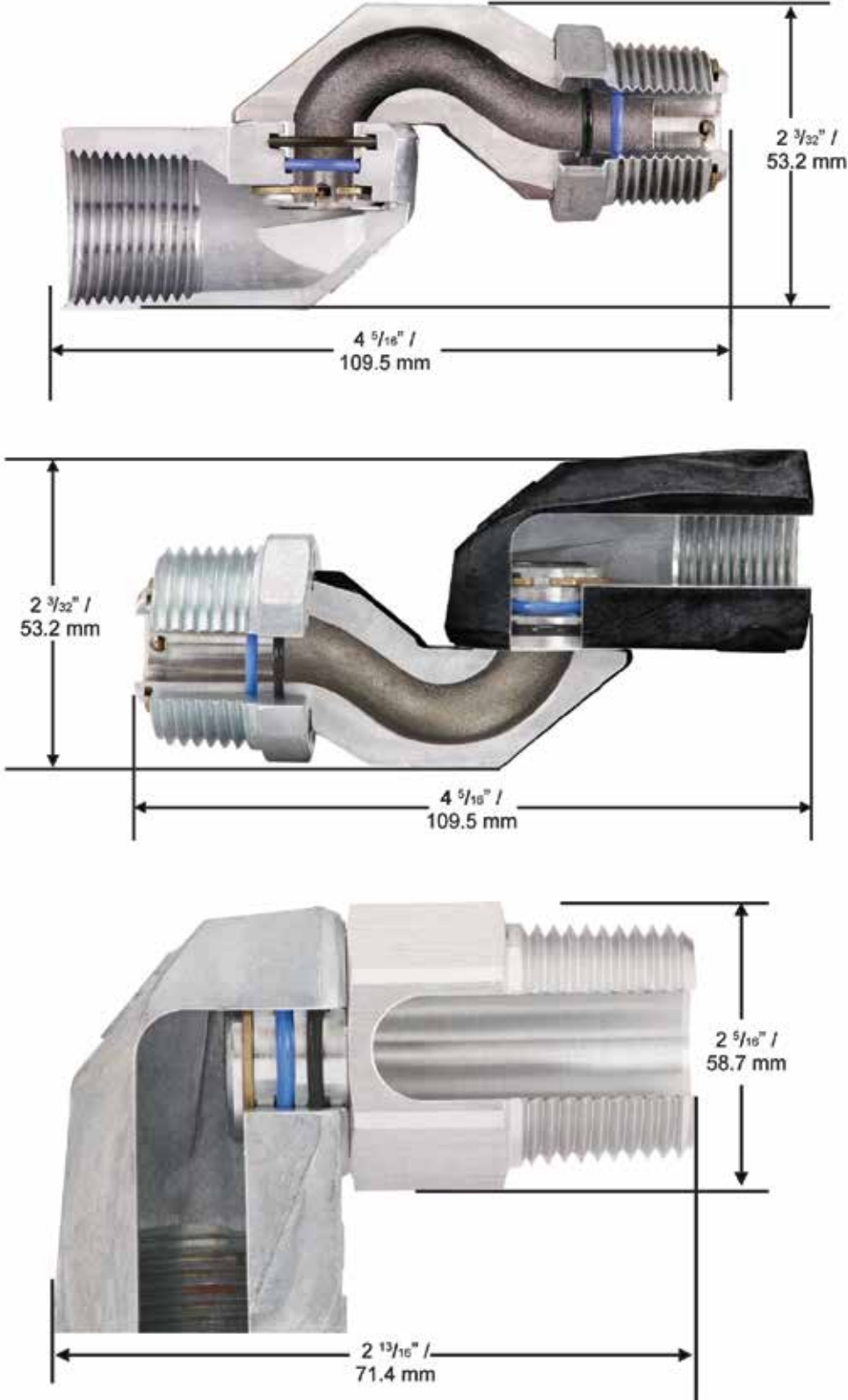
000350



002272



Dimensions



For truck and high volume fueling.

All Husky® Multi-plane Swivels

- Compatible with unleaded, diesel and Ethanol blends through E10.
- Compact and light weight for easy handling.
- High flow rates due to laminar flow design.
- High strength step shoulder bearing diameters and impact absorbing stops.
- Double o-ring seals at each swivel provide long life at low temperatures (-40° F/C).

Husky® High Volume Multi-Plane Swivels

- Multi-Plane, full 360° spherical rotation for easy movement of nozzle.
- For use with high flow nozzles with flow rates up to 100gpm / 378 Lpm.
- Raised stainless steel ball bearings provide easy joint movement, greatly improving ease of swivel when used on high pressure systems.
- 75% less back pressure.

Husky® Multi-Plane Restricted Swivels

- Multi-Plane, 210° spherical rotation at the swivel nut.

Warm Weather Swivels

- Multi-Plane, full 360° spherical rotation for easy movement of nozzle.
- Double o-ring seals at each swivel provide long life at high temperatures (482° F / 250° C).

NPT

MODEL NO.	DESCRIPTION	SHIPPING WEIGHT (KG)
000087	1" M x 1" F Swivel	.96 (.43)
000087W	1" M x 1" F Swivel with Warm Weather Seals	.96 (.43)
004860	1" M x 1" F High Flow Swivel	1.4 (.63)
000095	1" M x 1" F 70° Pump Swivel	.76 (.34)
003395	1" M x 1" F Restricted Swivel	.93 (.42)

BSPP

MODEL NO.	DESCRIPTION	SHIPPING WEIGHT (KG)
003306	1" M x 1" F Swivel	1.1 (.49)
003306A*	1" M x 1" F Swivel - Atex	1.1 (.49)
003306W	1" M x 1" F Swivel with Warm Weather Seals	1.1 (.49)
006949	1" M x 1" F High Flow Swivel	1.1 (.49)
006949A*	1" M x 1" F High Flow Swivel - Atex	1.1 (.49)
007254	1" M x 1" F Restricted Swivel	.93 (.42)

BSPT

MODEL NO.	DESCRIPTION	SHIPPING WEIGHT (KG)
001670	1" M x 1" F Swivel	.93 (.42)

CONSTRUCTION

STANDARD	
BODY	High Aluminum Zinc Alloy
INNER O-RING	Fluorosilicone
OUTER O-RING	Fluorocarbon
WARM WEATHER	
BODY	High Aluminum Zinc Alloy
INNER O-RING	Fluorocarbon
OUTER O-RING	Fluorocarbon
HIGH VOLUME	
BODY	Aluminum, Zinc & Zinc Plated Steel
INNER O-RING	Fluorosilicone
OUTER O-RING	Fluorocarbon



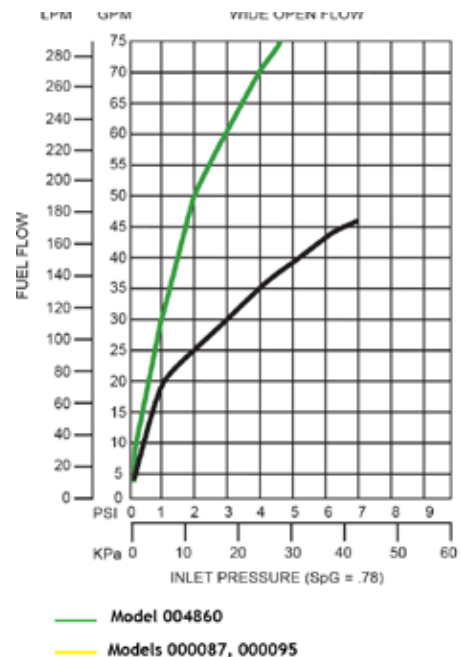
004860



000087

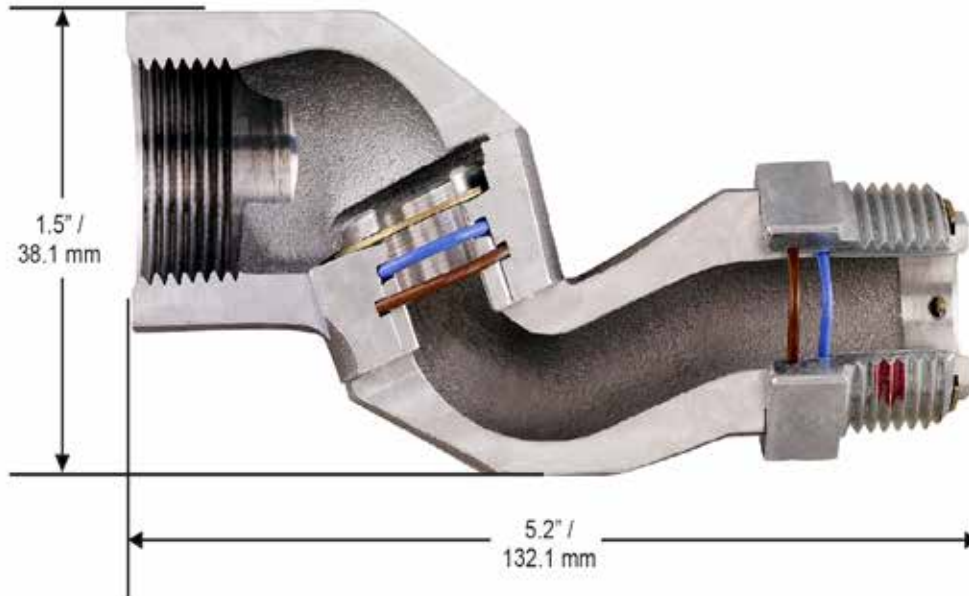


000095

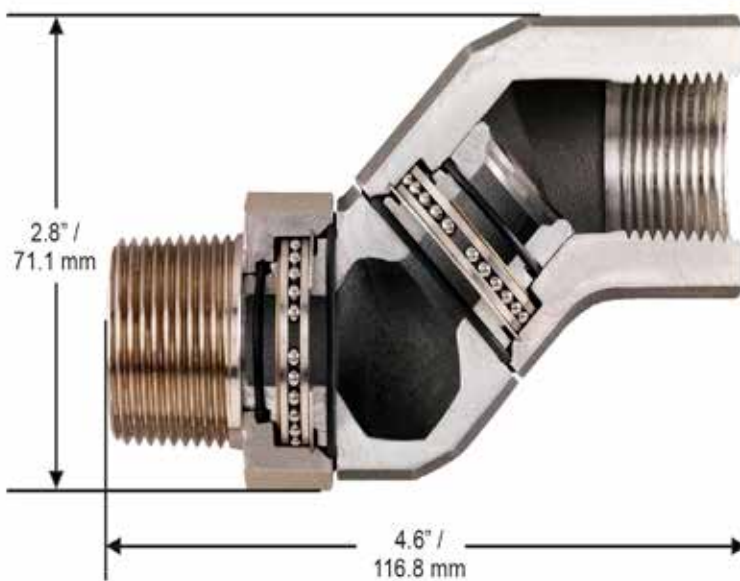


Dimensions

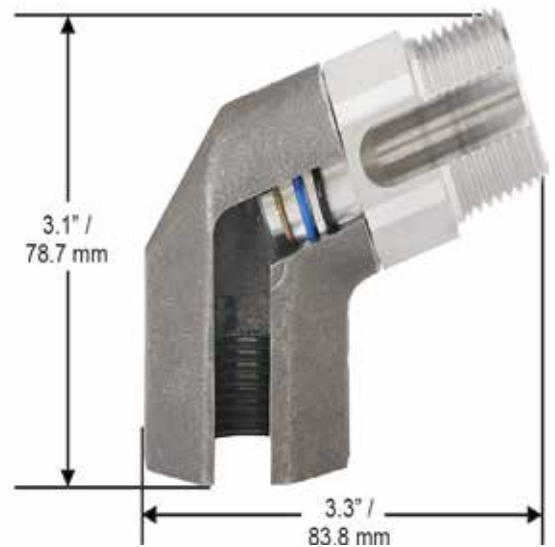
Model 000087, 000087W, 003306, 003395 and 007254



Model 004860 and 006949



Model 000095



All Husky[®] Safe-T-Breaks[®] stop the flow of fuel on both sides of the separation and have passed the demanding UL test requirements on separations without leaking or failing.

Models 003360 and 003385

- Retains UL listing after reconnection.
- Features a pre-loaded spring and a single turn wave to resist sudden pressure build-up in the hose causing nuisance.
- Separates at less than 200 lbf / 899.6 N which minimises “backlash” force of separation reducing damage to equipment.

Model 005230

- Retains UL listing after reconnection.
- Uses the same pre-loaded spring and single turn wave spring as Model 003360.
- Separates at less than 115 lbf / 511.5 N.

Model 002273 and 002774

- Light weight, inexpensive and disposable.
- Same instant-closing dual poppet check valve design as Model 003360.
- Separates at less than 300 lbf / 1334.4 N.

Model 006130

- Internal Pressure Compensation Chamber (PCC) that prevents “line shock” nuisance separations.
- Same instant-closing dual poppet check valve design as Model 003360.
- Separates at less than 225 lbf / 1000.8 N.



003600



006130



002273

Reconnectable with NPT

MODEL NO.	DESCRIPTION	SHIPPING WEIGHT (KG)
003360**	3/4" F x 3/4" F Reconnectable Safe-T-Break [®] with scuff guard	.59 (.26)
005230**	3/4" F x 3/4" F Reconnectable Low-Pull Safe-T-Break [®] with scuff guard	.59 (.26)

Non-reconnectable with NPT

MODEL NO.	DESCRIPTION	SHIPPING WEIGHT (KG)
002273	3/4" F x 3/4" F Non-Reconnectable Safe-T-Break [®]	.78 (.35)
006130**	3/4" F x 3/4" F PCC Non-Reconnectable Safe-T-Break [®] with scuff guard	.52 (.23)

Reconnectable with BSPP

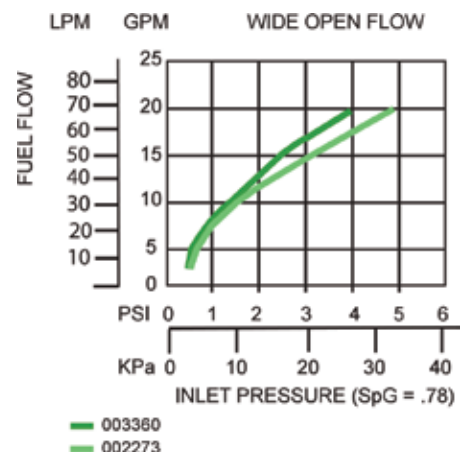
MODEL NO.	DESCRIPTION	SHIPPING WEIGHT (KG)
003385**	3/4" F x 3/4" F Reconnectable Safe-T-Break [®] with scuff guard	.57 (.25)

Non-reconnectable with BSPP

MODEL NO.	DESCRIPTION	SHIPPING WEIGHT (KG)
002774	3/4" F x 3/4" F Non-Reconnectable Safe-T-Break [®]	.73 (.33)
002774A*	3/4" F x 3/4" F PCC Non-Reconnectable Safe-T-Break [®] - ATEX	.73 (.33)

CONSTRUCTION

RECONNECTABLE SAFE-T-BREAKS[®]	
BODY	Aluminum
SEALS	Fluorocarbon
SPRINGS	Stainless Steel Stainless steel load and latch spring reverse mechanism Hardened stainless steel latch ring and balls
NON-RECONNECTABLE SAFE-T-BREAKS[®]	
BODY	Zinc Alloys and Aluminum



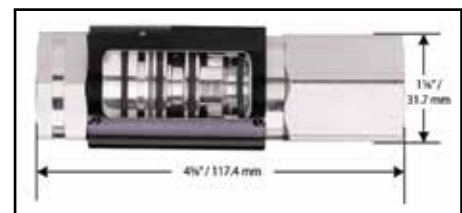
Dimensions and System Options

Whip Hoses

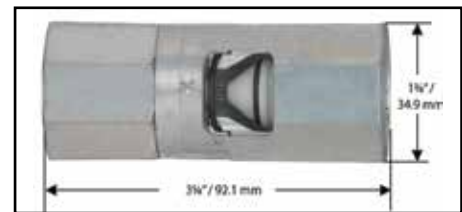
MODEL NO.	DESCRIPTION
NPT	
002274	3/4" M x 3/4" (19mm M x 19mm M) Whip Hose
227374	3/4" M x 3/4" (19mm M x 19mm M) Whip Hose connected to model 002273 3/4" F x 3/4" F Non-reconnectable Safe-T-Break®
3360747**	3/4" M x 3/4" (19mm M x 19mm M) Whip Hose connected to model 0033603 3/4" F x 3/4" F Reconnectable Safe-T-Break®
002275	3/4" M x 3/4" (19mm M x 19mm M) Whip Hose with Swivel Nut
002275**	3/4" M x 3/4" (19mm M x 19mm M) Whip Hose with swivel Nut connected to model 002273 3/4" F x 3/4" F Non-reconnectable Safe-T-Break®
336075**	3/4" M x 3/4" (19mm M x 19mm M) Whip Hose with swivel Nut connected to model 003360 3/4" F x 3/4" F Reconnectable Safe-T-Break®
BSPP	
002775	3/4" M x 3/4" (19mm M x 19mm M) Whip Hose



003600



006130



002273

Guards

MODEL NO.	DESCRIPTION
003096**	Scuff Guard for Model 003360, 006130 & 005230
006503*	Dispenser Scuff Guard for Model 002273 & 002774

Accessories, Testing and Maintenance

MODEL NO.	DESCRIPTION
007000	Safe-T-Break® Drain Cup
003813	Safe-T-Break® Demonstration Kit

Colour Chart

COLOUR	SUFFIX	COLOUR	SUFFIX
Blue	-01	White	-06
Red	-02	Gold	-08
Green	-03	Silver	-09
Black	-04	BP Green	-16
Yellow	-05	Pink	-20

All Husky[®] Safe-T-Breaks[®] stop the flow of fuel on both sides of the separation and have passed the demanding UL test requirements on separations without leaking or failing.

Models 002276, 003076 and 003076A

- Retains UL listing after reconnection.
- Internal pressure balancing chamber prevents “line shock” nuisance separations.
- Separates at less than 200 lbf / 899.6 N which minimises “backlash” force of separation reducing damage to equipment.

Model 005231

- Retains UL listing after reconnection.
- Uses the same internal balancing chamber as Model 002276.
- Separates at less than 115 lbf / 511.5 N.

Model 005812 and 006914

- Light weight, inexpensive and disposable.
- Same instant-closing dual poppet check valve design as Model 002276.
- Separates at less than 300 lbf / 1334.4 N.

Model 006301

- Internal Pressure Compensation Chamber (PCC) that prevents “line shock” nuisance separations.
- Same instant-closing dual poppet check valve design as Model 002276.
- Separates at less than 225 lbf / 1000.8 N.



002276



005812

Reconnectable with NPT

MODEL NO.	DESCRIPTION	SHIPPING WEIGHT (KG)
002276**	1" F x 1" F Reconnectable Safe-T-Break [®]	.75 (.34)
005231**	1" F x 1" F Reconnectable Low-Pull Safe-T-Break [®]	.75 (.34)

Non-reconnectable with NPT

MODEL NO.	DESCRIPTION	SHIPPING WEIGHT (KG)
005812**	1" F x 1" F Non-Reconnectable Safe-T-Break [®]	.61 (.27)
006131**	1" F x 1" F PCC Non-Reconnectable Safe-T-Break [®]	.69 (.31)

Reconnectable with BSPP

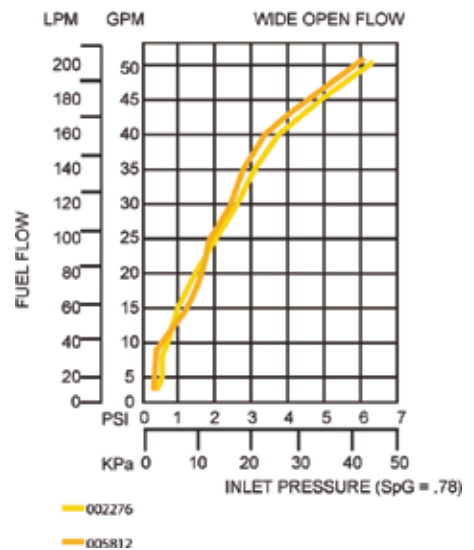
MODEL NO.	DESCRIPTION	SHIPPING WEIGHT (KG)
003376**	1" F x 1" F Reconnectable Safe-T-Break [®]	.75 (.34)
003076A*	1" F x 1" F Reconnectable Safe-T-Break [®] Atex	.75 (.34)

Non-reconnectable with BSPP

MODEL NO.	DESCRIPTION	SHIPPING WEIGHT (KG)
006914**	1" F x 1" F Non-Reconnectable Safe-T-Break [®]	.61 (.27)

CONSTRUCTION

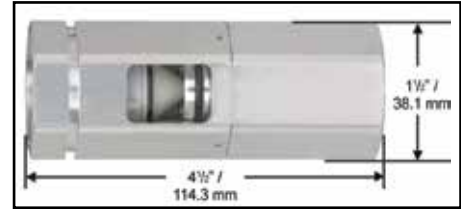
RECONNECTABLE SAFE-T-BREAKS[®]	
BODY	Aluminum
SEALS	Fluorocarbon
SPRINGS	Stainless Steel Stainless steel load and latch spring reverse mechanism Hardened stainless steel latch ring and balls
NON-RECONNECTABLE SAFE-T-BREAKS[®]	
BODY	Zinc Alloys and Aluminum
SEALS	Fluorocarbon



Dimensions and System Options

Whip Hoses

MODEL NO.	DESCRIPTION
002277	1" M x 1" M (25mm M x 25mm M) Whip Hose
227677**	1" M x 1" M Whip Hose connected to model 002276 1" F x 1" F Reconnectable Safe-T-Break®
581277**	1" M x 1" M Whip Hose connected to model 005812 1" F x 1" F Non-reconnectable Safe-T-Break®
002278	1" M x 1" M (25mm M x 25mm M) Whip Hose with Swivel Nut



Guards

MODEL NO.	DESCRIPTION
003098**	Safe-T-Break® Scuff Guard

Accessories, Testing and Maintenance

MODEL NO.	DESCRIPTION
007000	Safe-T-Break® Drain Cup
003813	Safe-T-Break® Demonstration Kit

Colour Chart

COLOUR	SUFFIX	COLOUR	SUFFIX
Blue	-01	White	-06
Red	-02	Gold	-08
Green	-03	Silver	-09
Black	-04	BP Green	-16
Yellow	-05	Pink	-20

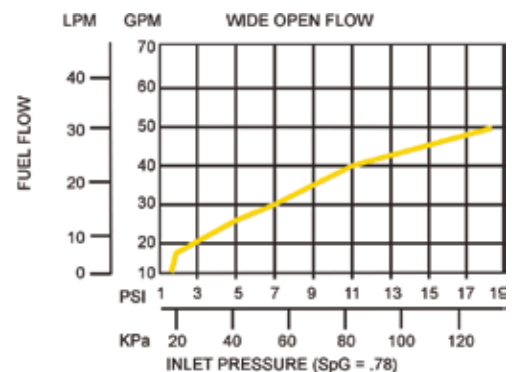
Husky® Model 005969 Swivel-T-Break® Combination for truck and high volume fueling.

- Multi-plane, full 360° spherical rotation for easy movement of nozzle.
- Swivel Sync® feature to prevent separation failure in the 90° position.
- High strength step shoulder bearing diameters and impact absorbing stops.
- Dynamic seals have double o-ring construction for long life and low temperature performance.
- Separates at less than 325 lbf / 1,445.6 N which minimises backlash fore of separations, reducing damage to equipment.
- 008015A and 008985A separate at less than 300 lbf / 1,334.5N.
- Safe-T-Break® is reconnectable and retains UL listing after reconnecting.
- Dual check valves stop fuel in both directions.
- Internal pressure balancing chamber prevents “line Shock” nuisance separations.
- Compatible with Ethanol blends through E10.
- Compact and light weight for easy handling.
- Easier to reconnect when installed at nozzle.
- Eliminates the need for a whip hose.



Swivel/Safe-T-Break® Combination

MODEL NO.	DESCRIPTION	SHIPPING WEIGHT (KG)
005969	1" NPT M x 1" NPT F Multi-Plane Swivel Reconnectable Safe-T-Break®	1.5 (.7)
008015	1" BSP M x 1" BSP F Multi-Plane Swivel Reconnectable Safe-T-Break®	1.5 (.7)
008015A*	1" BSP M x 1" BSP F Multi-Plane Swivel Reconnectable Safe-T-Break® - ATEX	1.5 (.7)
008612	M42 M x 1" BSP F Multi-Plane Swivel Reconnectable Safe-T-Break®	1.5 (.7)
008614	M34 M x 1" BSP F Multi-Plane Swivel Reconnectable Safe-T-Break®	1.5 (.7)
008985	1" BSP M x 1" BSP M Multi-Plane Swivel Reconnectable Safe-T-Break®	1.5 (.7)
008985A*	1" BSP M x 1" BSP M Multi-Plane Swivel Reconnectable Safe-T-Break® - ATEX	1.5 (.7)



CONSTRUCTION

BODY	Aluminium, Zinc Alloy
SEALS	Fluorocarbon
SPRINGS	Stainless Steel
THREADS	Various

Dimensions and System Options

Guards

MODEL NO.	DESCRIPTION
006534	Scuff Guard for Safe-T-Break®

Accessories, Testing and Maintenance

MODEL NO.	DESCRIPTION
007000	Safe-T-Break® Drain Cup



Model 10088 and 10037 have three (3) separate valves that address pressure / vacuum conditions in underground storage tanks (UST).

- Husky pressure / vacuum (P/V) vents incorporate three (3) separate valves to control over-pressure and vacuum conditions that arise in storage tanks. The three (3) valve system provides the necessary protection and durability needed in a UST vent cap.
- The vacuum valve is diaphragm operated and provides ten (10) times more sealing force than gravity devices. It consistently opens at 6" - 10" of water column (WC) / 1.5 - 2.5 kPa vacuum.
- The first over-pressure valve is diaphragm operated, giving 10 (10) times more sealing force than gravity devices. It opens at 2.5" - 6" (WC) / .63 - 1.5 kPa pressure.
- The safety over -pressure valve is designed to handle high pressure / high flow conditions. This valve will vent up to 7900 SCFH at psi / .14 bar.
- Model vents are a threaded vent cap that's easily installed by using the caston hex nut which allows tightening without having to go between vent pipes.
- Model 10088 vent cap with 10mm built in Orifice.
 - Model 10037 Vent cap without 10mm Orifice.
 - 1008 vent designed with rubber plug being inserted into 10mm to pass CP201.1E Vents pass CP201.11E for NSW EPA.



Specifying Information

MODEL NO.	DESCRIPTION	SHIPPING WEIGHT (KG)
10088	2" / 51mm Thread-On Pressure / Vacuum Vent Cap	1.2 (.54)
10037	2" / 51mm Thread-On Pressure / Vacuum Vent Cap	1.2 (.54)

CONSTRUCTION

BODY	Aluminium
SCREEN	40 Mesh Stainless Steel
SET SCREWS	Stainless Steel
DEFLECTOR	Aluminium

Dimensions

Testing Equipment

MODEL NO.	DESCRIPTION
5426	Pressure / Vacuum Vent Test Adaptor

